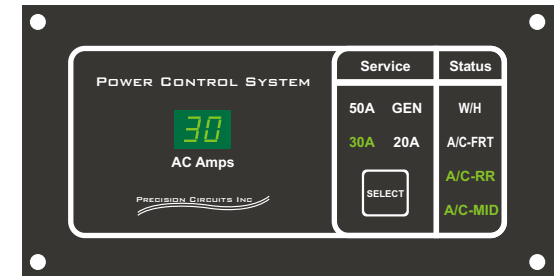
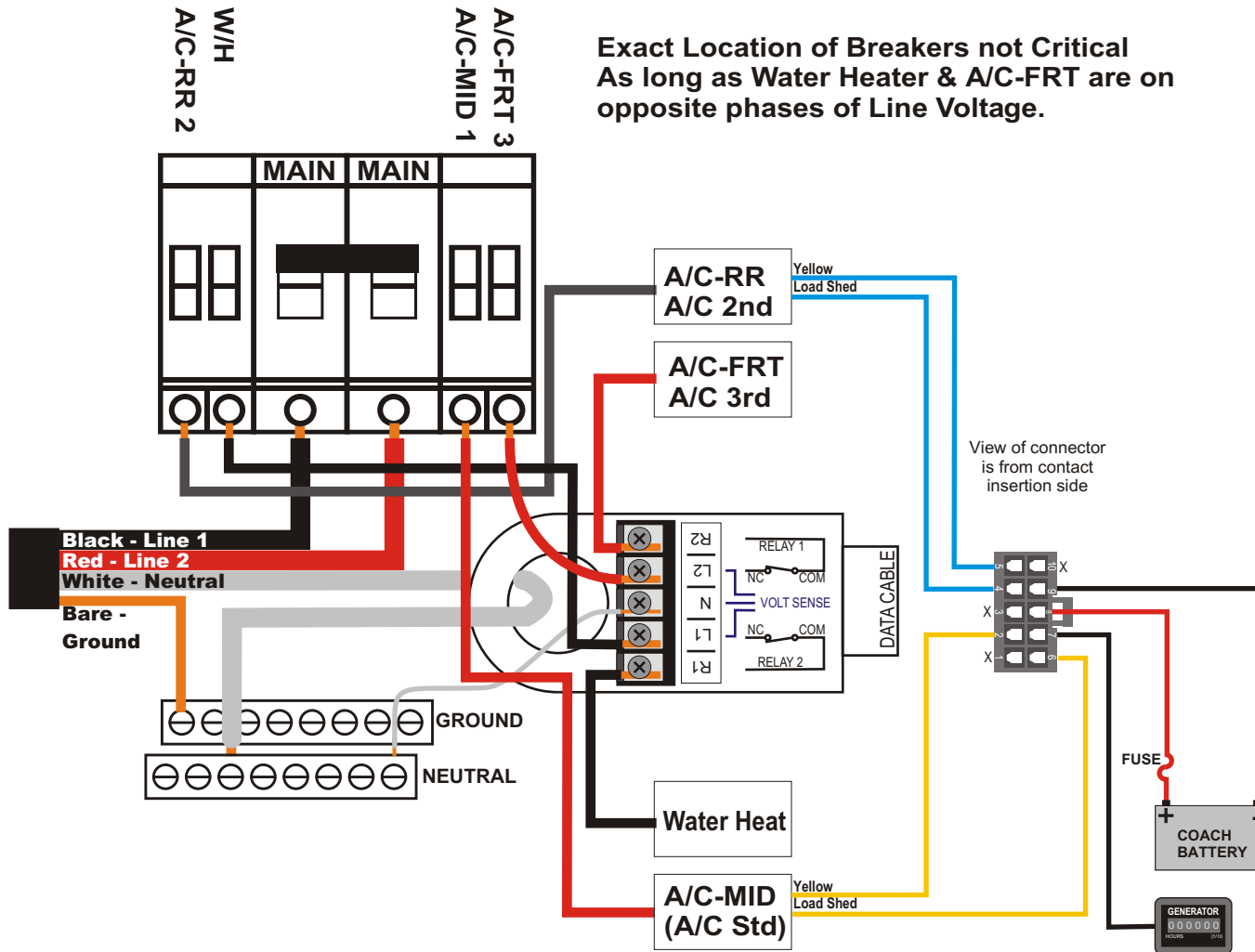


MINI POWER CONTROL SYSTEM



HEARTLAND WIRING DIAGRAM 10-02-2012 Rev A

Exact Location of Breakers not Critical
As long as Water Heater & A/C-FRT are on
opposite phases of Line Voltage.



Program Options:
Relay Shed Order:
1-W/H
2-A/C-FRT
4-A/C-RR
3-A/C-MID
50A Service = Sleep Mode
Generator = 44A Current Limit
Shed Loads