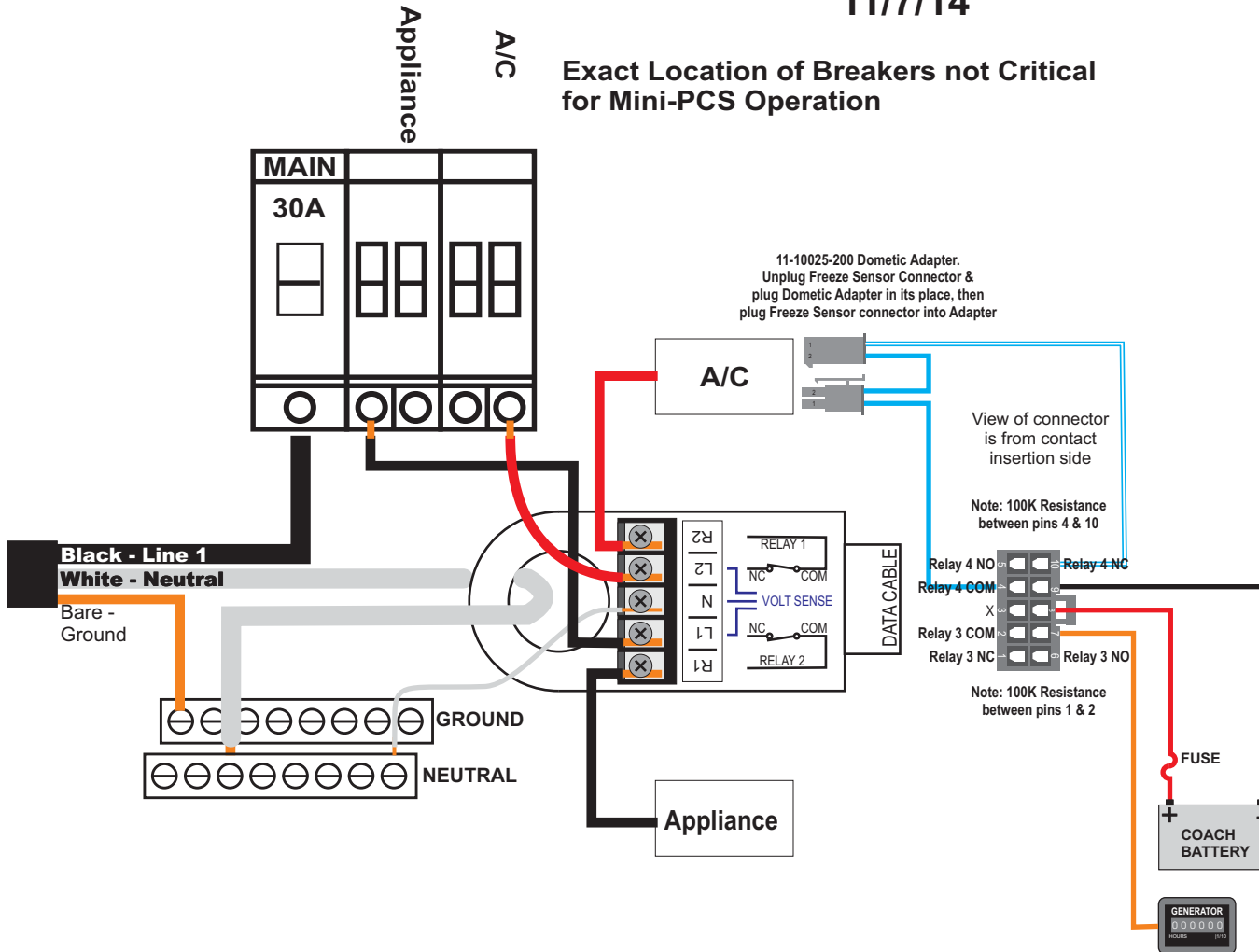


MINI POWER CONTROL SYSTEM

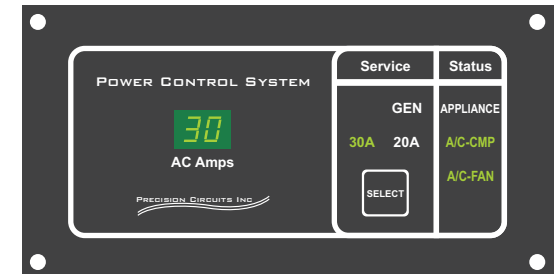


FOREST RIVER Class C WIRING DIAGRAM 11/7/14

Exact Location of Breakers not Critical
for Mini-PCS Operation



00-10025-211
Program Options:
Relay Shed Order:
1-Appliance
4-A/C-Compressor
2-A/C-Fan
0-Open
50A Service = Ignore
Generator = 22 Amps



Note:
This model has works with Dometic A/C's.
100K ohm Resistance exists
between A/C Common & A/C Normally Closed Contacts.
Normal operation, A/C contacts are closed and 0 ohms present.
When Mini-PCS sheds, Relay contacts open and
100K resistance exists between two wires.
This system works with Precision Circuits supplied
adapters for the Dometic A/C.