

MINI POWER CONTROL SYSTEM



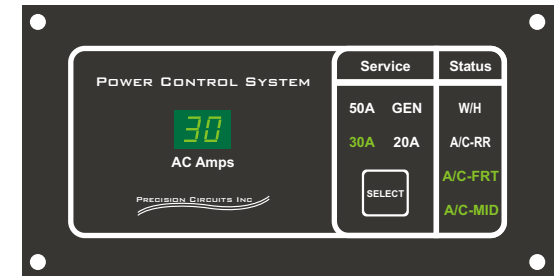
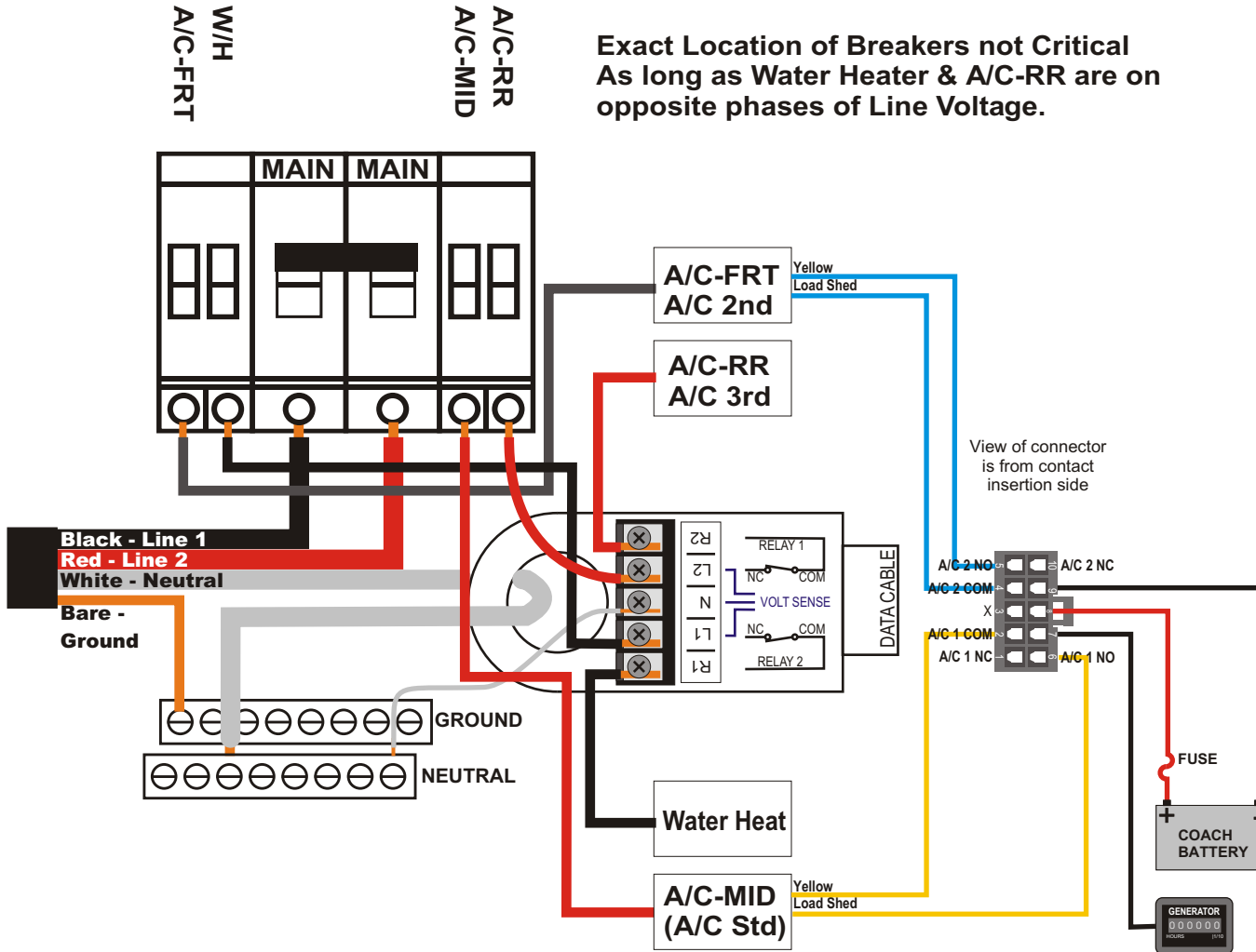
JAYCO WIRING DIAGRAM 12/10/2013

Exact Location of Breakers not Critical
As long as Water Heater & A/C-RR are on
opposite phases of Line Voltage.

Program Options:
Relay Shed Order:

- Relay 1 - W/H
- Relay 2 - A/C-RR
- Relay 4 - A/C-FRT
- Relay 3 - A/C-MID

50A Service = Sleep Mode
Generator = Display Amps Only



00-10025-355